

MAX-3



EP
Let's grow together

MAX-3

Innovation to Create New Market

CPC/Q(D)20-35T3

Diesel/Gasoline Forklift 2.0/2.5/3.0/3.5t

EP EQUIPMENT CO.,LTD



CPC/Q(D)20T3

T3 series 2.0 forklift specification:

				EP						
General	1	Manufacture								
	2	Model			CPC20T3	CPCD20T3	CPCD20T3	CPCD20T3	CPQD20T3	
	3	Power type			Diesel	Diesel	Diesel	Diesel	Gasoline	
	4	Rated capacity		Kg	2000	2000	2000	2000	2000	
	5	Load center		mm	500	500	500	500	500	
Characteristics & Dimensions	6	Lift height		B	mm	3000	3000	3000	3000	
	7	Free lift height		E	mm	120	120	120	120	
	8	Fork size	L×W×T	J/W/T	mm	1070×120×40	1070×120×40	1070×120×40	1070×120×40	
	9	Mast tilt range	F/R	F/K (°)	deg	6/10	6/10	6/10	6/10	
	10	Fork overhang(wheel center to fork face)		K	mm	481	481	481	481	
	11	Rear overhang		M	mm	430	430	430	430	
	12	Length to face of fork		Y	mm	2510	2510	2510	2510	
	13	Overall width		Q	mm	1150	1150	1150	1150	
	14	Overall dimensions	Mast lowered height		C	mm	2050	2050	2050	2050
	15		Mast extended height		A	mm	4200	4200	4200	4200
	16		Overhead guard height		P	mm	2160	2160	2160	2160
	17	Turning radius(outside)		R	mm	2170	2170	2170	2170	
Performance	18	Travel (No load)			Km/h	8/20	20	20	20	
	19	Speed	Lifting (Full load)			mm/sec	400	400	400	
	20		Lowering (Full load)			mm/sec	400	400	400	
	21		Max.Drawbar Pull (Full load)			N	14000	14000	14000	14000
	22	Max.Gradeability (Full load)			%	20	20	20	20	
Chassis	23	Tyres	Front	mm	700-12-12PR	700-12-12PR	700-12-12PR	700-12-12PR	700-12-12PR	
	24		Rear	mm	600-9-10PR	600-9-10PR	600-9-10PR	600-9-10PR	600-9-10PR	
	25	Tread	Font	U	mm	970	970	970	970	
	26		Rear	V	mm	970	970	970	970	
	27	Wheelbase		L	mm	1600	1600	1600	1600	
	28	Ground clearance	Lowest		mm	135/120	135/120	135/120	135/120	
	29		Wheelbase center		mm	160/145	160/145	160/145	160/145	
Weight	30	Self weight			Kg	3380	3380	3380	3380	
	31	Weight Distribution	Full load	Front	Kg	4670	4670	4670	4670	
	32			Rear	Kg	710	710	710	710	
	33		No load	Front	Kg	1450	1450	1450	1450	
	34			Rear	Kg	1930	1930	1930	1930	
	35	Battery	Voltage/Capacity(20HR)		V/Ah	12/80	12/80	12/60	12/60	
Power & transmission	36	Modal			C490BPG-25	A498BT1-39	S4S	C240	TD27	
	37	Manufacture			CHINA	CHINA	Mitsubishi	ISUZU	GCT	
	38	Rated output/r.p.m		kw	36.8/2650	36.8/2400	35.3/2250	34.5/2500	38.5/2300	
	39	Rated torque/r.p.m		N.m	156/1700-1900	186/1600-1800	166/1700	139/1800	160/2300	
	40	No.of cylinder			4	4	4	4	4	
	41	Bore×Stroke		mm	90×105	95×105	94×120	86×102	96/92	
	42	Displacement		cc	2670	2980	3331	2369	2663	
	43	Emission standard			EURIII	EURIII	EURIII	EURIII	/	
	44	Fuel tank capacity		L	60	70	60	60	60	
	45	Manufacture			CHINA	CHINA	CHINA	CHINA	CHINA	
	46	Transmissions Type			Mechanical / Powershift	Mechanical / Powershift	Powershift	Powershift	Powershift	
	47	Stage		FWD/RVS		2/2	2/2	1/1	1/1	
48	Operating pressure			Mpa	17.5	17.5	17.5	17.5		

- Special lifting height available (2-stage mast : 2.5m, 2.7m, 3.0m,3.3m, 3.5m,3.6m, 3.7m,4m,4.3m, 4.5m,5m. Full Free Duplex Mast 3.0m,3.3m,3.5m,3.6m,4.0m, 3-stage mast : 4.3m, 4.5m, 4.8m,5m, 5.5m, 6m,6.5m,7.0m)
- Attachment available. 3. The specification in the table are for standard models only . For further information please contact us. 4. Specification are subject to change without notice.

CPC/Q(D)25T3

T3 series 2.5 forklift specification:

				EP							
General	1	Manufacture									
	2	Model			CPC25T3	CPCD25T3	CPCD25T3	CPCD25T3	CPCD25T3	CPQD25T3	
	3	Power type			Diesel	Diesel	Diesel	Diesel	Diesel	Gasoline	
	4	Rated capacity		Kg	2500	2500	2500	2500	2500	2500	
	5	Load center		mm	500	500	500	500	500	500	
Characteristics & Dimensions	6	Lift height		B	mm	3000	3000	3000	3000	3000	
	7	Free lift height		E	mm	120	120	120	120	120	
	8	Fork size	LxWxT	J/W/T	mm	1070x120x40	1070x120x40	1070x120x40	1070x120x40	1070x120x40	
	9	Mast tilt range	F/R	F/K (°)	deg	6/10	6/10	6/10	6/10	6/10	
	10	Fork overhang(wheel center to fork face)		K	mm	481	481	481	481	481	
	11	Rear overhang		M	mm	500	500	500	500	500	
	12	Overall dimensions	Length to face of fork		Y	mm	2580	2580	2580	2580	2580
	13		Overall width		Q	mm	1150	1150	1150	1150	1150
	14		Mast lowered height		C	mm	2050	2050	2050	2050	2050
	15		Mast extended height		A	mm	4200	4200	4200	4200	4200
	16		Overhead guard height		P	mm	2160	2160	2160	2160	2160
17	Turning radius(outside)		R	mm	2240	2240	2240	2240	2240		
Performance	18	Speed	Travel (No load)		Km/h	8/20	20	20	20	20	
	19		Lifting (Full load)		mm/sec	360	360	360	360	360	
	20		Lowering (Full load)		mm/sec	400	400	400	400	400	
	21	Max.Drawbar Pull (Full load)		N	14500	14500	14500	14500	14500		
	22	Max.Gradeability (Full load)		%	20	20	20	20	20		
Chassis	23	Tyres	Front	mm	700-12-12PR	700-12-12PR	700-12-12PR	700-12-12PR	700-12-12PR	700-12-12PR	
	24		Rear	mm	600-9-10PR	600-9-10PR	600-9-10PR	600-9-10PR	600-9-10PR	600-9-10PR	
	25	Tread	Front	U	mm	970	970	970	970	970	
	26		Rear	V	mm	970	970	970	970	970	
	27	Wheelbase		L	mm	1600	1600	1600	1600	1600	
	28	Ground clearance	Lowest		mm	135/120	135/120	135/120	135/120	135/120	
	29		Wheelbase center		mm	160/145	160/145	160/145	160/145	160/145	
30	Self weight			Kg	3770	3770	3770	3770	3770		
Weight	31	Weight	Full load		Front	Kg	5480	5480	5480	5480	
	32		Rear		Kg	790	790	790	790		
	33	Distribution	No load		Front	Kg	1410	1410	1410	1410	
	34		Rear		Kg	2360	2360	2360	2360		
Power & transmission	35	Battery	Voltage/Capacity(20HR)		V/Ah	12/80	12/80	12/60	12/60	12/60	
	36	Engine	Modal			C490BPG-25	C490BPG-25	S45	C240	TD27	GK25
	37		Manufacture			CHINA	CHINA	Mitsubishi	ISUZU	GCT	GCT
	38		Rated output/r.p.m		kw	36.8/2650	36.8/2650	35.3/2250	34.5/2500	38.5/2300	37.4/2300
	39		Rated torque/r.p.m		N.m	156/1700-1900	156/1700-1900	166/1700	139/1800	160/2300	176.5/1600
	40		No.of cylinder			4	4	4	4	4	4
	41		Borex Stroke		mm	90x105	90x105	94x120	86x102	96/92	89x100
	42		Displacement		cc	2670	2670	3331	2369	2663	2488
	43		Emission standard			EURIII	EURIII	EURIII	EURIII	/	/
	44		Fuel tank capacity		L	60	60	60	60	60	60
	45		Manufacture			CHINA	CHINA	CHINA	CHINA	CHINA	CHINA
	46	Type			Mechanical	Powershift	Powershift	Powershift	Powershift	Powershift	
	47	Stage		FWD/RVS		2/2	2/2	1/1	1/1	1/1	
	48	Operating pressure			Mpa	17.5	17.5	17.5	17.5	17.5	

1. Special lifting height available (2-stage mast : 2.5m, 2.7m, 3.0m,3.3m, 3.5m,3.6m, 3.7m,4m,4.3m, 4.5m,5m. Full Free Duplex Mast 3.0m,3.3m,3.5m,3.6m,4.0m. 3-stage@mast : 4.3m, 4.5m, 4.8m,5m, 5.5m, 6m,6.5m,7.0m)
2. Attachment available.
3. The specification in the table are for standard models only . For further information please contact us.
4. Specification are subject to change without notice.

CPC/Q(D)30T3

T3 series 3.0 forklift specification:

General		EP									
1	Manufacture										
2	Model			CPC30T3	CPCD30T3	CPCD30T3	CPCD30T3	CPCD30T3	CPQD30T3		
3	Power type			Diesel	Diesel	Diesel	Diesel	Diesel	Gasoline		
4	Rated capacity			Kg	3000	3000	3000	3000	3000		
5	Load center			mm	500	500	500	500	500		
6	Lift height		B	mm	3000	3000	3000	3000	3000		
7	Free lift height		E	mm	120	120	120	120	120		
8	Fork size	LxWxT	J/W/T	mm	1070x125x45	1070x125x45	1070x125x45	1070x125x45	1070x125x45		
9	Mast tilt range	F/R	F/K (°)	deg	6/10	6/10	6/10	6/10	6/10		
10	Fork overhang(wheel center to fork face)		K	mm	481	481	481	481	481		
11	Rear overhang		M	mm	500	500	500	500	500		
12	Overall dimensions	Length to face of fork	Y	mm	2710	2710	2710	2710	2710		
13		Overall width	Q	mm	1230	1230	1230	1230	1230		
14		Mast lowered height	C	mm	2070	2070	2070	2070	2070		
15		Mast extended height	A	mm	4210	4210	4210	4210	4210		
16		Overhead guard height	P	mm	2190	2190	2190	2190	2190		
17	Turning radius(outside)		R	mm	2500	2500	2500	2500	2500		
18	Performance	Travel (No load)		Km/h	8/20	20	20	20	20		
19		Speed		Lifting (Full load)	400	400	400	400	400		
20				Lowering (Full load)	400	400	400	400	400		
21				Max.Drawbar Pull (Full load)	N	20000	21000	21000	21000	21000	
22			Max.Gradeability (Full load)	%	20	20	20	20	20		
23	Chassis	Tyres	Front	mm	28x9-15-14PR	28x9-15-14PR	28x9-15-14PR	28x9-15-14PR	28x9-15-14PR		
24			Rear	mm	6.50-10-10PR	6.50-10-10PR	6.50-10-10PR	6.50-10-10PR	6.50-10-10PR		
25		Tread	Front	U	mm	1010	1010	1010	1010		
26			Rear	V	mm	980	980	980	980		
27	Wheelbase		L	mm	1750	1750	1750	1750			
28	Ground clearance	Lowest		mm	150/120	150/120	150/120	150/120			
29		Wheelbase center		mm	170/150	170/150	170/150	170/150			
30	Self weight			Kg	4120	4120	4120	4120			
31	Weight	Full load	Front	Kg	6420	6420	6420	6420			
32			Rear	Kg	700	700	700	700			
33		Distribution	No load	Front	Kg	1720	1720	1720			
34				Rear	Kg	2400	2400	2400	2400		
35	Battery	Voltage/Capacity(20HR)		V/Ah	12/80	12/80	12/60	12/60			
36	Power & transmission	Modal			C490BPG-25	A498BT1-39	S4S	C240	TD27	GK25	
37		Manufacture			CHINA	CHINA	Mitsubishi	ISUZU	GCT	GCT	
38		Rated output/r.p.m			kw	36.8/2650	36.8/2400	35.3/2250	34.5/2500	38.5/2300	37.4/2300
39		Rated torque/r.p.m			N.m	156/1700-1900	186/1600-1800	166/1700	139/1800	160/2300	176.5/1600
40		No.of cylinder				4	4	4	4	4	
41		BorexStroke			mm	90x105	95x105	94x120	86x102	96/92	89x100
42		Displacement			cc	2670	2980	3331	2369	2663	2488
43		Emission standard				EURIII	EURIII	EURIII	EURIII	/	/
44		Fuel tank capacity			L	60	70	70	70	60	70
45		Manufacture				CHINA	CHINA	CHINA	CHINA	CHINA	CHINA
46	Transmissions	Type			Mechanical / Powershift	Mechanical / Powershift	Powershift	Powershift	Powershift	Powershift	
47		Stage	FWD/RVS		2/2	2/2	1/1	1/1	1/1	1/1	
48	Operating pressure			Mpa	17.5	17.5	17.5	17.5	17.5	17.5	

- Special lifting height available (2-stage mast : 2.5m, 2.7m, 3.0m,3.3m, 3.5m,3.6m, 3.7m,4m,4.3m, 4.5m,5m. Full Free Duplex Mast 3.0m,3.3m,3.5m,3.6m,4.0m. 3-stage mast : 4.3m, 4.5m, 4.8m,5m, 5.5m, 6m,6.5m,7.0m)
- Attachment available.
- The specification in the table are for standard models only . For further information please contact us.
- Specification are subject to change without notice.

CPC/Q(D)35T3

T3 series 3.5 forklift specification:

					EP					
General	1	Manufacture								
	2	Model			CPC35T3	CPD35T3	CPCD35T3	CPD35T3	CPQD35T3	
	3	Power type			Diesel	Diesel	Diesel	Diesel	Gasoline	
	4	Rated capacity			Kg	3500	3500	3500	3500	
	5	Load center			mm	500	500	500	500	
Characteristics & Dimensions	6	Lift height			B	mm	3000	3000	3000	
	7	Free lift height			E	mm	120	120	120	
	8	Fork size		LxWxT	J/W/T	mm	1070x125x50	1070x125x50	1070x125x50	1070x125x50
	9	Mast tilt range			F/R	F/K (°)	deg	6/10	6/10	
	10	Fork overhang(wheel center to fork face)			K	mm	481	481	481	
	11	Rear overhang			M	mm	550	550	550	
	12	Overall dimensions	Length to face of fork		Y	mm	2760	2760	2760	
	13		Overall width		Q	mm	1230	1230	1230	
	14		Mast lowered height		C	mm	2070	2070	2070	
	15		Mast extended height		A	mm	4210	4210	4210	
	16	Overhead guard height		P	mm	2190	2190	2190	2190	
17	Turning radius(outside)			R	mm	2550	2550	2550		
Performance	18	Speed		Travel (No load)		Km/h	8/20	20	20	
	19			Lifting (Full load)		mm/sec	360	360	360	
	20			Lowering (Full load)		mm/sec	400	400	400	
	21	Max.Drawbar Pull (Full load)			N	21000	21000	21000	21000	
	22	Max.Gradeability (Full load)			%	20	20	20	20	
Chassis	23	Tyres		Front	mm	28x9-15-14PR	28x9-15-14PR	28x9-15-14PR	28x9-15-14PR	
	24			Rear	mm	6.50-10-10PR	6.50-10-10PR	6.50-10-10PR	6.50-10-10PR	
	25	Tread		Front	U	mm	1010	1010	1010	
	26			Rear	V	mm	980	980	980	
	27	Wheelbase			L	mm	1750	1750	1750	
	28	Ground clearance		Lowest		mm	150/120	150/120	150/120	
	29			Wheelbase center		mm	170/150	170/150	170/150	
Weight	30	Self weight			Kg	4400	4400	4400	4400	
	31	Weight		Full load		Front	Kg	7140	7140	
	32					Rear	Kg	760	760	
	33	Distribution		No load		Front	Kg	1680	1680	
	34					Rear	Kg	2720	2720	
Power & transmission	35	Battery		Voltage/Capacity(20HR)		V/Ah	12/80	12/60	12/60	
	36	Modal					C490BPG-25	A498BT1-39	S45	
	37	Manufacture					CHINA	CHINA	Mitsubishi	
	38	Rated output/r.p.m			kw	36.8/2650	36.8/2400	35.3/2250	38.5/2300	
	39	Rated torque/r.p.m			N.m	156/1700-1900	186/1600-1800	166/1700	160/2300	
	40	Engine			No.of cylinder			4	4	
	41				BorexStroke		mm	90x105	95x105	
	42				Displacement		cc	2670	2980	
	43				Emission standard			EURIII	EURIII	
	44				Fuel tank capacity		L	60	70	
	45	Manufacture					CHINA	CHINA	CHINA	
	46	Transmissions		Type				Mechanical / Powershift	Mechanical / Powershift	
	47			Stage		FWD/RVS		2/2	1/1	
	48	Operating pressure			Mpa	17.5	17.5	17.5	17.5	

1. Special lifting height available (2-stage mast : 2.5m, 2.7m, 3.0m,3.3m, 3.5m,3.6m, 3.7m,4m,4.3m, 4.5m,5m. Full Free Duplex Mast 3.0m,3.3m,3.5m,3.6m,4.0m. 3-stage@mast : 4.3m, 4.5m, 4.8m,5m, 5.5m, 6m,6.5m,7.0m)
 2. Attachment available. 3. The specification in the table are for standard models only . For further information please contact us. 4. Specification are subject to change without notice.

Mast Option

2.0-2.5t T3 series mast: (pneumatic)

Type	Model	Max.fork height	Overall height			Free lift		Front Overhang		Tilt range		Capacity			
			Lowered	Extended		Without backrest	With backrest			FWD	BWD	Load capacity at 500 mm			
				Without backrest	With backrest			Single tire				Double tire			
			mm	mm	mm	mm	mm	mm	mm	mm	Deg	Deg	2.0t	2.5t	2.0t
Wide view mast	2W200	2000	1555	2740	3420	120	120	476	476	6	10	2000	2500	2000	2500
	2W250	2500	1805	3040	3720	120	120	476	476	6	10	2000	2500	2000	2500
	2W270	2700	1905	3240	3920	120	120	476	476	6	10	2000	2500	2000	2500
	2W300	3000	2055	3540	4220	120	120	476	476	6	10	2000	2500	2000	2500
	2W330	3300	2205	3690	4370	120	120	476	476	6	10	2000	2500	2000	2500
	2W350	3500	2305	3890	4570	120	120	476	476	6	10	2000	2500	2000	2500
	2W360	3600	2355	3990	4670	120	120	476	476	6	10	2000	2500	2000	2500
	2W400	4000	2605	4040	4720	120	120	476	476	6	10	1900	2300	2000	2500
	2W430	4300	2755	4340	5020	120	120	476	476	6	6	1800	2100	1950	2450
2W450	4500	2855	4290	4970	120	120	476	476	6	6	1700	2000	1900	2400	
Wide view full 2-stage mast	2F250	2500	1785	2090	2770	1210	560	476	476	6	10	2000	2500	2000	2500
	2F270	2700	1885	2290	2970	1310	660	476	476	6	10	2000	2500	2000	2500
	2F300	3000	2035	2590	3270	1460	810	476	476	6	10	2000	2500	2000	2500
	2F330	3300	2185	3840	4520	1610	960	476	476	6	10	2000	2500	2000	2500
	2F360	3600	2335	4140	4820	1760	1110	476	476	6	10	2000	2500	2000	2500
	2F400	4000	2585	4540	5220	2060	1410	476	476	6	10	1900	2300	2000	2500
Wide view full 3-stage mast	3F430	4300	2035	4880	5560	1360	730	490	490	6	6	1700	2000	1900	2400
	3F450	4500	2115	5040	5720	1460	810	490	490	6	6	1600	1900	1800	2300
	3F480	4800	2220	5345	6020	1565	915	490	490	6	6	1500	1700	1700	2100
	3F500	5000	2305	5540	6220	1610	960	490	490	6	6	1400	1600	1600	2000
	3F550	5500	2555	6120	6800	1770	1120	490	490	3	6	1050	1200	1500	1800
	3F600	6000	2805	6540	7220	2020	1370	490	490	3	6	700	800	1400	1600

Note:1、With sideshifter minus 150Kg, with integral sideshifter minus 100Kg.

3.0-3.5t T3 series mast: (pneumatic)

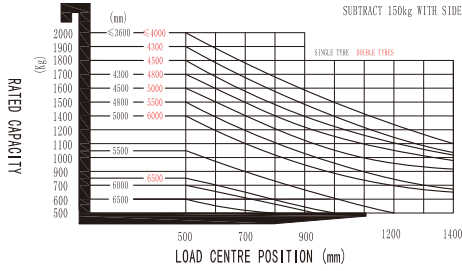
Type	Model	Max.fork height	Overall height			Free lift		Front Overhang		Tilt range		Capacity			
			Lowered	Extended		Without backrest	With backrest			FWD	BWD	Load capacity at 500 mm			
				Without backrest	With backrest			Single tire				Double tire			
			mm	mm	mm	mm	mm	mm	mm	mm	Deg	Deg	3.0t	3.0t	3.5t
Wide view mast	2W200	2000	1570	2570	3250	120	120	481	486	6	10	3000	3000	3500	3500
	2W250	2500	1820	3070	3750	120	120	481	486	6	10	3000	3000	3500	3500
	2W270	2700	1920	3270	3950	120	120	481	486	6	10	3000	3000	3500	3500
	2W300	3000	2070	3570	4250	120	120	481	486	6	10	3000	3000	3500	3500
	2W330	3300	2220	3690	4370	120	120	481	486	6	10	3000	3000	3500	3500
	2W350	3500	2320	3890	4570	120	120	481	486	6	10	3000	3000	3500	3500
	2W360	3600	2370	3990	4670	120	120	481	486	6	10	3000	3000	3500	3500
	2W400	4000	2620	4040	4720	120	120	481	486	6	10	2850	3000	3250	3500
	2W430	4300	2770	4340	5020	120	120	481	486	6	6	2700	2900	3000	3400
2W450	4500	2870	4290	4970	120	120	481	486	6	6	2550	2850	2850	3350	
wide view full 2-stage mast	2F250	2500	1805	2220	2900	1210	560	481	486	6	10	3000	3000	3500	3500
	2F270	2700	1905	2320	3000	1310	660	481	486	6	10	3000	3000	3500	3500
	2F300	3000	2055	2620	3300	1460	810	481	486	6	10	3000	3000	3500	3500
	2F330	3300	2205	3870	4550	1610	960	481	486	6	10	3000	3000	3500	3500
	2F360	3600	2355	4020	4700	1760	1110	481	486	6	10	3000	3000	3500	3500
	2F400	4000	2605	4420	5100	2060	1410	481	486	6	10	2850	3000	3250	3500
wide view full 3-stage mast	3F430	4300	2055	4910	5570	1360	730	495	500	6	6	2550	2850	2850	3350
	3F450	4500	2135	5070	5750	1460	810	495	500	6	6	2400	2700	2700	3200
	3F480	4800	2240	5375	6050	1565	915	495	500	6	6	2250	2550	2450	2950
	3F500	5000	2325	5570	6250	1610	960	495	500	6	6	1650	2250	2300	2800
	3F550	5500	2575	6150	6830	1770	1120	495	500	3	6	1800	2250	1800	2550
	3F600	6000	2825	6570	7250	2020	1370	495	500	3	6	1200	2100	1300	2300

Note:1、With sideshifter minus 200Kg, with integral sideshifter minus 150Kg.

RATED CAPACITIES AND LOAD CENTERS GRAPH

CPC/Q(D)20T3

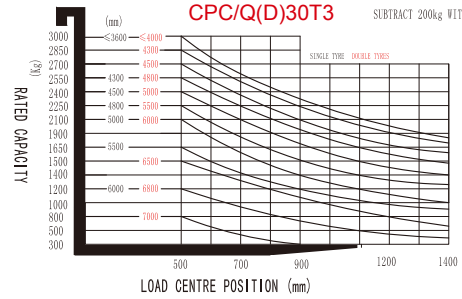
SUBTRACT 150kg WITH SIDESHIFTER



RATED CAPACITIES AND LOAD CENTERS GRAPH

CPC/Q(D)30T3

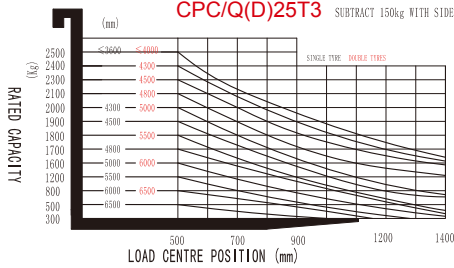
SUBTRACT 200kg WITH SIDESHIFTER



RATED CAPACITIES AND LOAD CENTERS GRAPH

CPC/Q(D)25T3

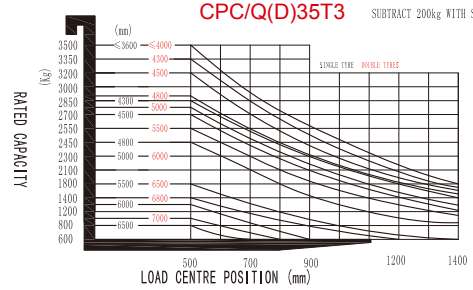
SUBTRACT 150kg WITH SIDESHIFTER



RATED CAPACITIES AND LOAD CENTERS GRAPH

CPC/Q(D)35T3

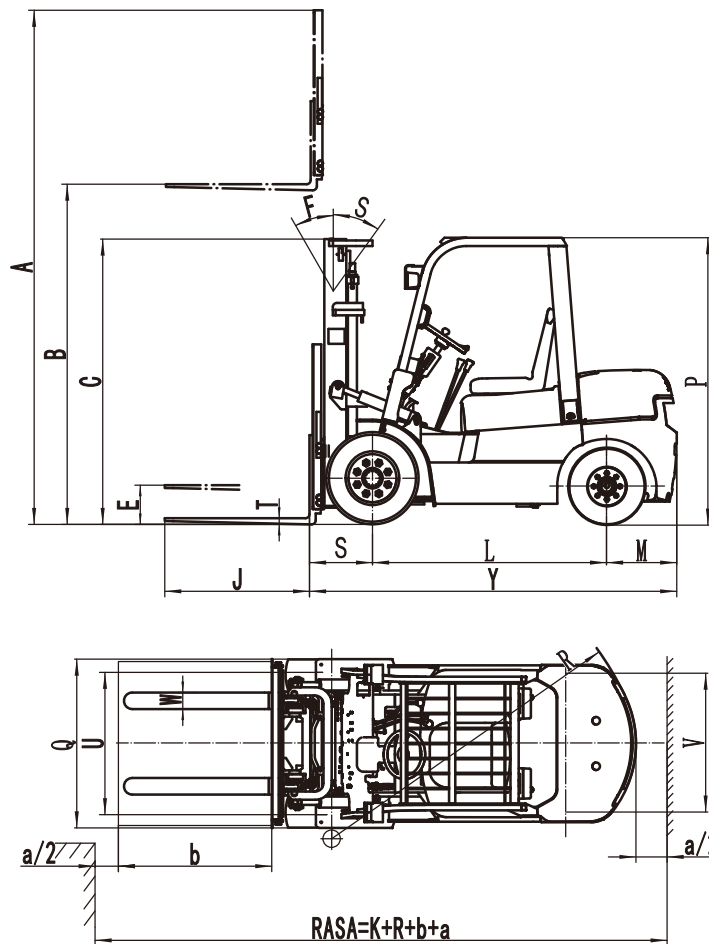
SUBTRACT 200kg WITH SIDESHIFTER



Option

Options	20T3	25T3	30T3	35T3
1 Fork length	○	○	○	○
2 Fork extension	○	○	○	○
3 Folded fork	○	○	○	○
4 Imported diesel engine	○	○	○	○
5 Import Gasoline Engine	○	○	○	○
8 LPG system	○	○	○	○
9 High exhaust	○	○	○	○
10 Double air filtration	○	○	○	○
11 Solid rubber tire	○	○	○	○
12 No marking solid tire	○	○	○	○
14 Overhead guard	○	○	○	○
15 Mast options	○	○	○	○
16 Attachments	○	○	○	○
17 Integrated side shift	○	○	○	○
19 Cockpit	●	●	●	●
20 Heater	○	○	○	○
21 Front windshield with wiper	○	○	○	○
22 Rear windshield with wiper	○	○	○	○
23 Simple cabin room	○	○	○	○
24 LED lights	○	○	○	○
25 Fire extinguisher	○	○	○	○
26 Suspension seat	○	○	○	○
27 Seat switch	○	○	○	○
28 Warning light	○	○	○	○
29 Insulation mat	○	○	○	○
30 Double front tyre	○	○	○	○
31 Front work light	●	●	●	●
32 Rear working LED light	○	○	○	○
33 OPS system	○	○	○	○
34 fan	○	○	○	○

Note: ● standard ○ option — NA



SKLAD TRUCK

ОФИЦИАЛЬНЫЙ ДИСТРИБЬЮТОР БРЕНДА EP EQUIPMENT

+380 73 972 1163

skladtruck.com.ua

info@skladtruck.com.ua

EP
Let's grow together