

MAX-8

2019.V5



MAX-8

Excellent Performances & Reliability

CPCD50-100T8

T8 Diesel Forklift 5.0/6.0/7.0/8.0/10.0t

EP EQUIPMENT CO.,LTD
skladtruck.com.ua



CPCD50/60/70T8

T8 series 5.0-7.0t forklift specification:

		EP										
		CPCD50T8	CPCD60T8	CPCD70T8	CPCD50T8	CPCD60T8	CPCD70T8	CPCD50T8	CPCD60T8	CPCD70T8	CPCD70T8	
General	1 Manufacture											
	2 Model	Diesel										
	3 Power type											
	4 Rated capacity	Kg	5000	6000	7000	5000	6000	7000	5000	6000	7000	
	5 Load center	mm	600									
	6 Lift height	mm	3000									
	7 Free lift height	mm	130									
	8 Fork size	L×W×T	1220×150×55 1220×150×60 1220×150×65 1220×150×65 1220×150×65 1220×150×65 1220×150×65 1220×150×65 1220×150×65 1220×150×65									
	9 Mast lift range	F/R	6/12									
	10 Fork overhang(wheel center to fork face)	mm	635									
	11 Rear overhang	mm	700	770	810	700	770	810	700	770	810	
	12 Length to face of fork	mm	3455	3592	3592	3472	3592	3472	3592	3472	3592	
	13 Overall dimensions	mm	1995									
	14 Mast lowered height	mm	2510									
	15 Mast extended height	mm	4429									
	16 Overhead guard height	mm	2410									
	17 Turning radius(outside)	mm	3330	3440	3480	3330	3440	3480	3330	3440	3480	
	18 Minimum rectangular aisle width.	mm	4068	4218	4218	4068	4218	4218	4068	4218	4218	
	19 Speed	Km/h	26									
	21 Lifting (Full load)	mm/sec	500/430	500/380	500/380	500/380	500/380	500/380	500/380	500/380	500/380	
	22 Max. Drawbar Pull (Full load)	N	21000	22200	24400	21000	22200	24400	21000	22200	24400	
	23 Max. Gradeability (Full load)	%	20									
Performance	24 Tyres	mm	8.25-15-14PR									
	25 Front	mm	8.25-15-14PR									
	26 Rear	mm	1470									
	27 Tread	mm	1700									
	28 Wheelbase	mm	2250									
	29 Ground clearance	mm	200/160									
	30 Mast (No/Full load)		240/200									
	31 Self weight	Kg	8000	8650	9050	8000	8650	9050	8000	8650	9050	
	32 Full load	mm	10660	12452	13842	10660	12452	13842	10660	12452	13842	
	33 Weight Distribution	mm	2340	2198	2028	2340	2198	2028	2340	2198	2028	
	34 No load	mm	2800	3028	3168	2800	3028	3168	2800	3028	3168	
	35 Voltage/Capacity	V/AH	5200	5622	5882	5200	5622	5882	5200	5622	5882	
	36 Model	S6S-T	QSF3-8									
	37 Manufacture	Mitsubishi	Cummins									
	38 Rated output/r.p.m	kw	63.9/2300	86/2200								
	39 Rated torque/r.p.m	N.m	285/1700	470/1520								
	40 Engine	No. of cylinder	6	4								
	41 Bore×Stroke	mm	94×120	102×115								
	42 Displacement	cc	4986	3757								
	43 Fuel tank capacity	L	140	140								
	44 Manufacture	China	China									
	45 Type	Power shift	Power shift									
	46 Stage	FWD/RVS	2/2									
	47 Operating pressure	Mpa	19									

1. Special lifting height available (2-stage mast : 2.5m, 2.7m, 3.0m, 3.3m, 3.5m, 3.6m, 3.7m, 4m, 4.3m, 4.5m, 5m, Full Free Duplex Mast 3.0m, 3.3m, 3.5m, 3.6m, 3-stage mast : 4.3m, 4.5m, 4.8m, 5m, 5.5m, 6m)

3. The parameters in the table are of the standard model. For more information, please contact us. 4. Specification are subject to change without notice.

2. Attachment available.

CPCD80/100T8

T8 series 8.0-10.0t forklift specification:

General		EP			
1	Manufacture	CPCD80T8	CPCD100T8	CPCD80T8	CPCD100T8
2	Model				
3	Power type			Diesel	
4	Rated capacity	8000	10000	8000	10000
5	Load center	mm	600		
6	Lift height	mm	3000		
7	Free lift height	mm	200		
8	Fork size	LxWxT	1500x160x80	1500x160x80	1500x160x80
9	Mast tilt range	F/R	6/12		
10	Fork overhang(wheel center to fork face)	mm	728		
11	Rear overhang	mm	680	680	700
12	Length to face of fork	mm	4250	3950	4250
13	Overall width	mm	2245		
14	Mast lowered height	mm	2850		
15	Mast extended height	mm	4420		
16	Overhead guard height	mm	2560		
17	Turning radius(outside)	mm	3700	3700	3700
18	Minimum rectangular aisle width.	mm	4580	4580	4580
19	Travel (No load)	Km/h	25		
21	Lifting (Full load)	mm/sec	390/340	480/350	390/340
22	Max.Drawbar Pull (Full load)	N	28500	25600	28500
23	Max.Gradeability (Full load)	%	20		
24	Tyres	Front	44900-20-14PR		
25		Rear	2x900-20-14PR		
26	Tread	Front	1600		
27		Rear	1700		
28	Wheelbase	mm	2800	2500	2800
29	Ground clearance	mm	240/190		
30	Mast (No/Full load)	mm	350/340		
31	Self weight	Kg	11050	11050	12900
32	Full load	Front	17200	17200	20900
33		Rear	1850	1850	1960
34	Weight Distribution	Front	4900	4900	6260
35	No load	Rear	6150	6150	6640
36	Battery	V/AH	24/80		
37	Model	6RG332	QSF3-8	6RG1	
38	Manufacture	China	Cummins	ISUZU	
39	Rated output/r.p.m	kw	86/2200	82.3/2000	
40	Rated torque/r.p.m	N.m	450/1400-1800	470/1320	418/1400-1600
41	No of cylinder		6	4	6
42	BorexStroke	mm	102x118	102x115	105/125
43	Displacement	cc	5785	3757	6494
44	Fuel tank capacity	L	160	160	160
45	Manufacture		China		
46	Type		Powershift		
47	Stage		2/2		
48	Operating pressure	Mpa	2.05		

1. Special lifting height available For further information please contact us. 2. Attachment available.

3. The specification in the table are for standard models only . For further information please contact us. 4. Specification are subject to change without notice.

5.0/6.0/7.0t T8 series mast: (pneumatic)

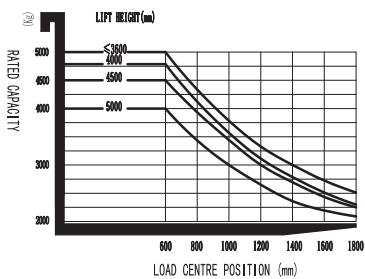
Type	Model	Max.fork height	Overall height				Free lift		Front Overhang	Tilt range		Capacity		
			Lowered	Extended		Without backrest	With backrest	FWD		BWD	Load capacity at 600 mm			
				Without backrest	With backrest						5.0t	6.0t	7.0t	
mm	mm	mm	mm	mm	mm	mm	mm	Deg	Deg	kg	kg	kg		
Wide view mast	2W300	3000	2510	4000	4430	130	130	635	6	12	5000	6000	7000	
	2W330	3300	2660	4200	4730	130	130	635	6	12				
	2W350	3500	2760	4500	4930	130	130	635	6	12				
	2W400	4000	3020	5000	5430	130	130	635	6	12				
	2W450	4500	3310	5500	5930	130	130	635	6	6				
	2W500	5000	3560	6000	6430	130	130	635	6	6				
Wide view full 2-stage mast	2F300	3000	2460	4000	4430	1545	1090	635	6	12	5000	6000	—	
	2F330	3300	2610	4300	4730	1695	1240	635	6	12				
	2F350	3500	2710	4500	4930	1795	1340	635	6	12				
	2F400	4000	3010	5000	5430	2095	1640	635	6	12				
Wide view full 3-stage mast	3F450	4500	2650	5750	5070	1740	1285	680	6	6	4500	5500	6500	
	3F480	4800	2765	6050	5375	1845	1390	680	6	6				
	3F500	5000	2830	6250	5575	1910	1455	680	3	6				
	3F540	5400	2965	6830	6150	2045	1590	680	3	6	4200	5200	5500	
	3F600	6000	3165	7250	6570	2245	1790	680	3	6	4000	5000	5300	

8.0/10.0t T8 series mast: (pneumatic)

Type	Model	Max.fork height	Overall height			Free lift		Front Overhang		Tilt range		Capacity	
			Lowered	With backrest	Without backrest	With backrest	8.0t	10.0t	FWD	BWD	Load capacity at 600 mm		
											8.0t	10.0t	
mm	mm	mm	mm	mm	mm	mm	mm	Deg	Deg	kg	kg		
Wide view mast	2W300	3130	2920	4310	210	210	728	728	6	12	8000	10000	
	2W330	3430	3070	4610	210	210	728	728	6	12			
	2W350	3630	3170	4810	210	210	728	728	6	12			
	2W400	4130	3470	5310	210	210	728	728	6	12			
	2W450	4630	3720	5810	210	210	728	728	6	12			
	2W500	5130	3970	6310	210	210	728	728	6	6			
Wide view full 3-stage mast	3F450	4530	2900	5875	1580	1580	768	768	6	6	7200	8500	
	3F480	4830	3000	6175	1680	1680	768	768	6	6	7000	7650	
	3F500	5030	3065	6375	1745	1745	768	768	6	6	6300	7500	
	3F550	5530	3255	6775	1935	1935	768	768	3	6	6500	7200	
	3F600	6030	3455	7375	2135	2135	768	768	3	6	6000	6000	

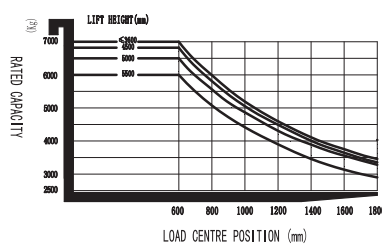
RATED CAPACITIES AND LOAD CENTERS GRAPH

CPCD50T8



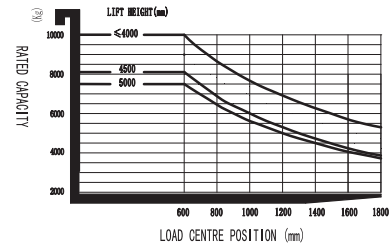
RATED CAPACITIES AND LOAD CENTERS GRAPH

CPCD70T8



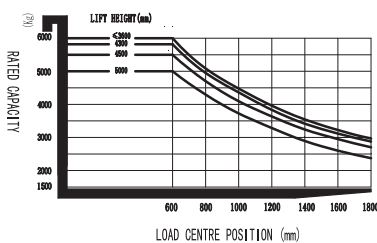
RATED CAPACITIES AND LOAD CENTERS GRAPH

CPCD100T8



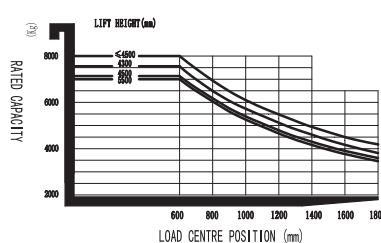
RATED CAPACITIES AND LOAD CENTERS GRAPH

CPCD60T8

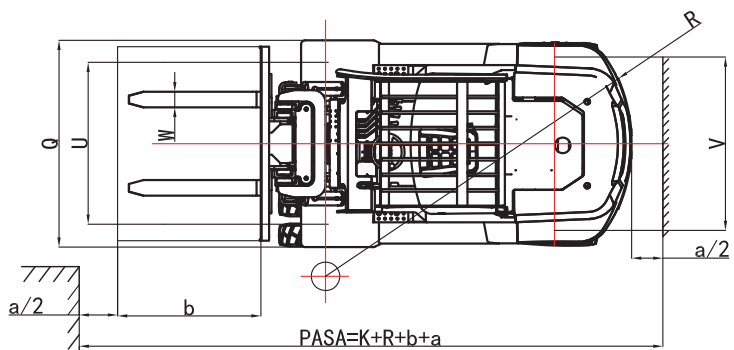
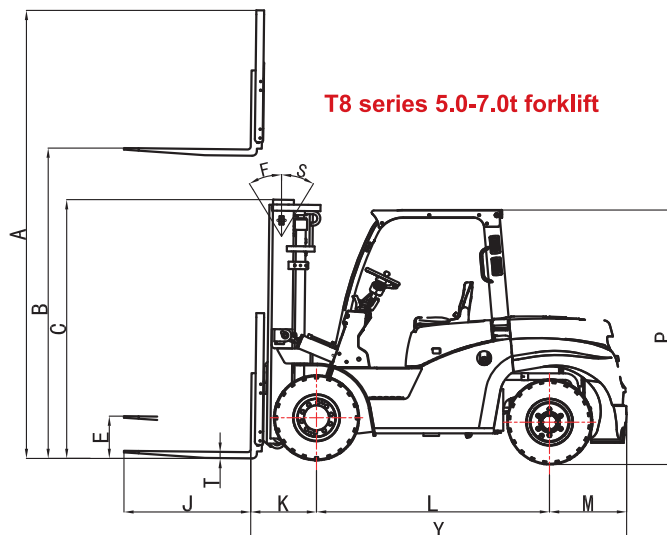


RATED CAPACITIES AND LOAD CENTERS GRAPH

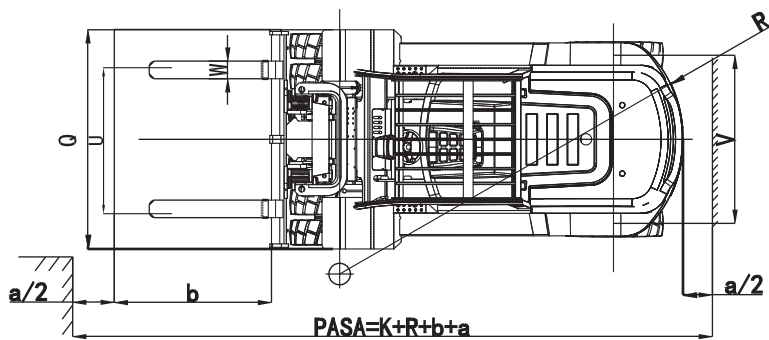
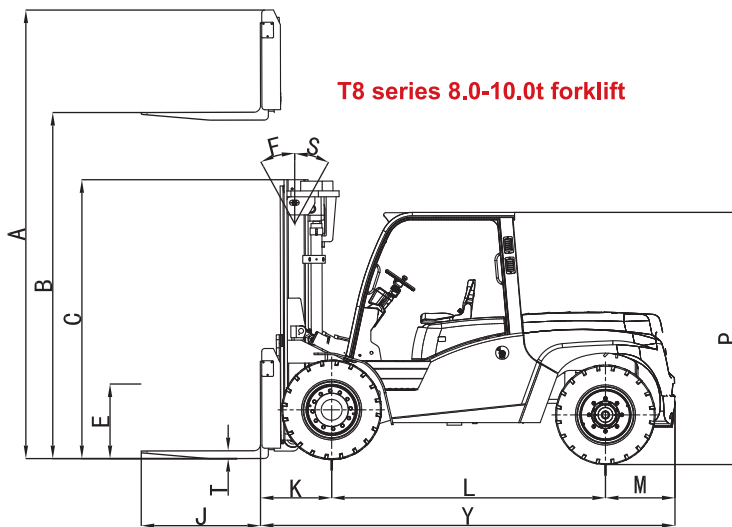
CPCD80T8



T8 series 5.0-7.0t forklift



T8 series 8.0-10.0t forklift



Option

Options	CPCD50T8	CPCD60T8	CPCD70T8	CPCD80T8	CPCD100T8
1 Other dimension forks	o	o	o	o	o
2 Fork Extension	o	o	o	o	o
3 Folding fork	o	o	o	o	o
4 Fork positioner	o	o	o	o	o
5 Imported engine	o	o	o	o	o
6 High-mounted Exhaust system	o	o	o	o	o
7 Dual air cleaner	o	o	o	o	o
8 Solid tyre	o	o	o	o	o
9 No-mark tyre	o	o	o	o	o
10 Special height overhead guard	o	o	o	o	o
11 Overhead guard rainproof hood	●	●	●	●	●
12 Different lifting height masts	o	o	o	o	o
13 Attachment	o	o	o	o	o
14 Cabin	o	o	o	o	o
15 Heater	o	o	o	o	o
16 Front window with wiper	o	o	o	o	o
17 Rear window with wiper	o	o	o	o	o
18 Cabin without side doors	●	●	●	●	●
19 LED Front working light	●	●	●	●	●
20 LED rear working light	o	o	o	o	o
21 Fire extinguisher	o	o	o	o	o
22 Luxury Seat(full suspension)	o	o	o	o	o
23 Seat switch	●	●	●	●	●
24 Warning light under engine cover	o	o	o	o	o
25 Insulation mat	o	o	o	o	o
26 OPS system	o	o	o	o	o
27 Special carriage and backrest	o	o	o	o	o
28 FAN	o	o	o	o	o

Note: ● standard o option — NA

T8 series 5.0-7.0t forklift



T8 series 8.0-10.0t forklift



SKLAD TRUCK

ОФИЦИАЛЬНЫЙ ДИСТРИБЬЮТОР БРЕНДА EP EQUIPMENT

+380 73 972 1163

skladtruck.com.ua

info@skladtruck.com.ua

EP
Let's grow together